

1.11. Golden Light Formula

Author: Rekhtine A.V.

A few years ago, we got acquainted with the works of the Russian scientist Nikolai Viktorovich Levashov. This acquaintance played a key role in our lives. Drastic changes have begun, which to this day have no end in sight, and this pleases and inspires new achievements and creative flight, which once again reminded us of a distant and cloudless adolescence.



The phenomenon of N. V. Levashov's works is multi-layered, as well as the heterogeneous structure of the Universe described by him in books. We were allowed to slightly highlight and share our understanding of this side of Russian Talent.

Unfortunately, in my experience, I can say that very few books that the parasitic control system has passed into print, the works of Levashov undoubtedly belong to this rare category.

But even among these books, you need to be able to choose the seeds from the chaff. There are many books that contain quite interesting facts and logical conclusions, for example, "eniology" Rogozhkin, or " Chronological and Esoteric Analysis" Sidorov, "Blow Of The Russian Gods" - Istarkhov. But they are empty. They have a form, but no content, no energy, books do not communicate with our subconscious. These books change the information field at the lowest levels - on the etheric and lower-astral, so they are so easily perceived. What these writers give in their books comes from knowledge, not from a vision where development priorities are clearly set. This means that such people work according to the system that someone gave them. Therefore, such information, working for the system, goes easily and moves quickly, the same Bible was written precisely in order to control the consciousness of the masses through condemnation, fear and thinking through denial. There is energy in the Bible, there is truth, but it is turned inside out. Thus, a trap was created for the consciousness of those people who could not understand that the knowledge in the Bible, mathematically speaking, is inverted, or in Russian, is passed through negation. "If there is no law, there is no sin"[1].

If we take some new information, we take it relative to our current state. If we are not yet world Champions in weightlifting, we do not immediately take a bar weighing 300 kg on our shoulders, we first train with less weight, honing the technique, then gradually increase it, each time carefully polishing the movements. For otherwise, we are waiting for an injury and a long sports stagnation - a plateau. The same analogy applies to intellectual development.

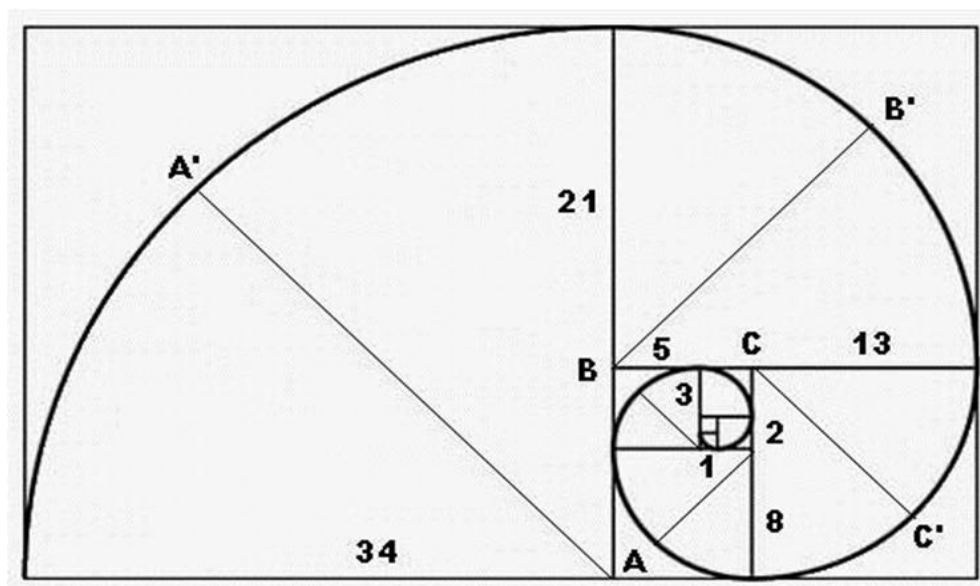
Sometimes in different books we are given very important and necessary information, but often it turns out as if we are put on a supersonic fighter, and we do not even know how to fly a cornhusker. Therefore, even with all the higher wisdom contained in such books, we will not sit in this fighter. Not because it's bad, but because we're not ready for it. Any incoming information should resonate with the developed qualities of our essence.

For many, it is no secret that the main information is transmitted not through the text, but through the internal state formed by the book in the reader. What is important is the inner state of the Creator who wrote the book, if he is God, he will breathe life into his creation, and the book will begin to live its own life with its own character. Therefore, the highest skill of the writer is manifested in his own state and the ability to convey it to form a resonant state, to the reader for maximum perception of the material. For man becomes a true man precisely through his inner perception of the world. In this perspective, the rebus of the title of Levashov's autobiography becomes clear.

In his works, Nikolai Viktorovich managed to synthesize both the theory and, to a certain extent, the practice of integral self-improvement of a person.

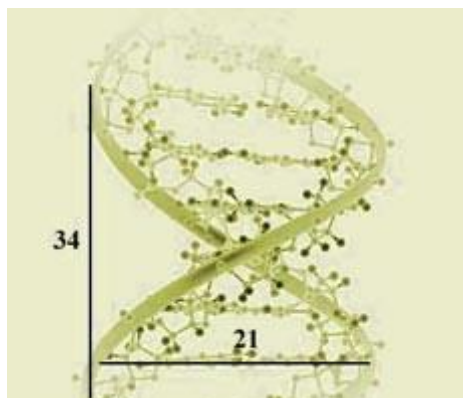
Levashov's works have a special internal structure. Their characteristic feature is the lack of a traditional system of presentation of the material. In these books, the discussion of some issues alternates with others; the narrative often returns to the issues raised earlier, while providing the reader with more and more in-depth information on individual issues.

At first glance, it may seem that all the knowledge presented is devoted to the same problems, considered from different aspects. However, the reader will not find a single idea repeated in the texts, even if it is about a single concept or problem. The seeming recurrence of the problematic considered by Levashov is based on the universal cosmic principle of evolution - the spiral of the golden ratio.



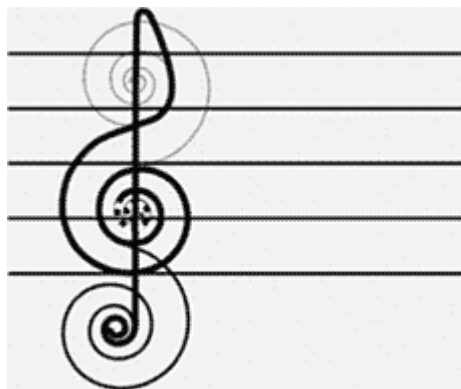
That is, the consideration of a topic or concept begins in books with the simplest aspects, and then gradually expands and becomes more complex with each new paragraph, with each new book. This principle of consistency, which is necessary in any learning process, allows you to make many complex aspects of knowledge accessible and understandable to the reader. Simultaneously developing the student's ability to synthesize different views and search for identical qualities in seemingly antagonistic approaches to the problem. After all, they say that everyone has their own truth, but the truth is the same for everyone. Nicholas himself liked to tell a parable about three blind men who groped an elephant from different sides and made independent judgments about what an elephant is. Taking such an intensive course, our consciousness learns to overcome contradictions, blocks, go beyond the generally accepted patterns of thinking and look for non-standard solutions.

This Golden spiral is the most natural form of development of all things. It can be observed in the structure of the claim shells, the flowers of sunflowers, roses and other plants in the cochlea of the ear, and proportions of bones and phalanges, in the form and proportions of a bird's egg, in the eye of a hurricane, in the spiral of our galaxy and in the DNA helix[2]



The use of the Golden ratio in music stands out. Arensky (95%), Beethoven (97%), Haydn (97%), Mozart (91%), Chopin (92%), and Schubert (91%) have the largest number of works created with the Golden ratio in mind. By the way, any classical piece of music, as a set of certain sounds of musical harmony, is in some way a specific information chain. The human brain functionally has the ability to translate and decipher the received musical symbols into another character format. When transmitting information from life support systems, some men can hear music (usually this time is from 3:30 to 4:30 local time), but they cannot decrypt it and during the day they try (those who have a musical education) to restore what they heard, that is, to broadcast it. Fact: all great composers are men.

Today, all musical instruments are calibrated at 440 Hz, but in the first half of the twentieth century, the native standard was adopted – **432 Hz. Musical instruments calibrated at this frequency could enter into resonance with the human psi field and had a healing property.** Only such instruments could reproduce the musical spiral of Pythagoras.



The Treble Clef is a graphic expression of the Fibonacci spiral, the principle of Life. It lies on the musical lines and shows the progressive development of the worlds, their cosmic unity in a spiral movement forward. At the same time, the closeness of the Treble Clef to itself indicates that the sound development of notes is limited in the octave range and does not extend to the entire range of the spiral of evolutionary development.

Within an octave, there are eight notes, not seven, and the count goes from the note DO to NA, which is the first note of the next octave and the 432 Hz harmonic, and therefore an octave is eight. However in the translation from Latin, the Octave is eight, but we rarely wonder why there were always only seven notes in the eight. And the fact is that this eighth note NA is the key to moving to a higher octave of development. The interventional Management System has always hidden this possibility of development from people. Russian musical (8-register with the last note NA) series can be used to radically change the properties of the energy and information web, even in the conditions of existence in the information corridor itself.

The figure eight is a symbol of change, shift, turn, novelty. Only at this point can you make the transition from the lower ring of the Eight to the upper ring. The eight is also considered as the beginning of a new cosmic octave after the completion of the seven notes, or cycles, of the preceding octave. This is why it has so often been identified with the attainment of a higher degree of initiation. Hence the eight stages of Raja yoga, the eightfold Royal path of the Buddha, the eight-level ascent path in the hermetic tradition, the concept of the eight chakras, which places the eighth chakra above a person's head. In addition, the number eight, rotated 90 degrees, represents the infinity sign.

Our brain is intuitively tuned to the perception of Golden proportions, which is why objects and people, in the appearance of which the Golden proportion is observed, always cause us a sense of aesthetic pleasure. Everyone knows that Slavic women are the most beautiful. And why? Few people will answer. **It is this innate sense of the Golden ratio that distinguishes the genetics of the white race** from the gray sub-race, which is prone to radicalization and C-Ionization of consciousness. Philosophers tell the truth: "the Devil is the First extremist". But few of them know why this is happening.

By the way, there are few who have thought about why the Slavic worldview is so close to the symbol - Kolovrat? The mechanism is the same; we intuitively feel the Golden spiral in these symbols. Genetics cannot be deceived, so both on pagan temples and on Orthodox icons Kolovrat is a sacred symbol. In Hitler's swastika, the Golden ratio is broken.



The illustration shows the Kolovrat, reflecting the principle of the Golden proportion, embodied in the continuous logic of human consciousness. A. I. Gurdjieff called this principle the cosmic law of octaves, which is subject to human development. N. V. Levashov mentioned this law in his lectures, putting it in the figurative form of an evolutionary biathlon[3]

Having read the works of N. V. Levashov, it is not difficult to conclude that when working out karma, a person destroys the spirals of their DNA built according to the Golden section, which does not slow down to manifest itself on the physical level. And these manifestations of degeneration were thoroughly covered by G. P. Klimov in his works on higher sociology. By comparing and superimposing these two concepts on each other, the reader unfolds the three-dimensional figure of the two-layer TORa in his own mind. If in addition to this, **we superimpose information about the Golden Ratio from Khatybov**, then TOR of consciousness becomes even more difficultly organized and layered. Consciousness passes from a state of dual logic to a continuous one based on the principle of harmony. But **the TORUS is the energy form of the psi field of any living organism**. This topic is covered quite well in the film "Prosperity, how to do it on Earth "[4]

According to Pythagoras, the dodecahedron embodied the atom of Ether, and the cube - the atom of the Earth. Thanks to the works of A.M. Khatybov, we learned that the cubic energy-informational grid and the decimal number system are not native to Mankind, this is a "gift" of space invaders (ebras according to N. Morozov) who occupied the planetary system Midgard Earth 18000 years ago.

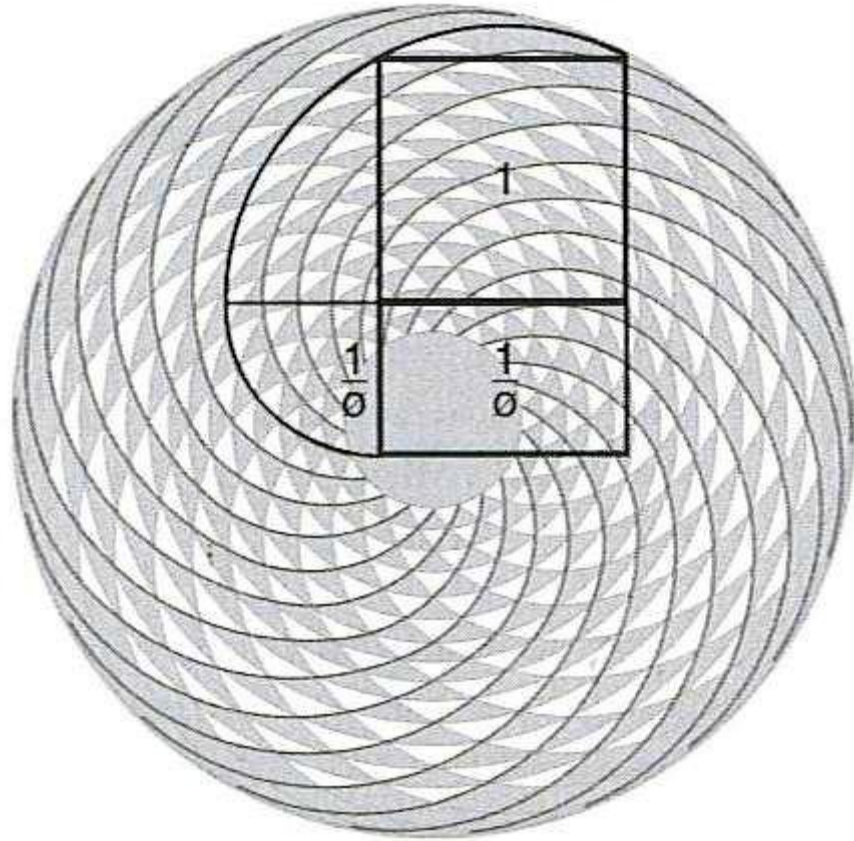
From some Slavic-Aryan Vedic sources, information comes that the native number system of our ancestors was hexadecimal, and 16 is the number obtained by adding 3 + 5 + 8 three numbers of the first Fibonacci series.

A Fibonacci Spiral is duplicated, rotated around the center, and the circular pattern is mirrored. When assembled the result forms the pattern seen in sunflowers.

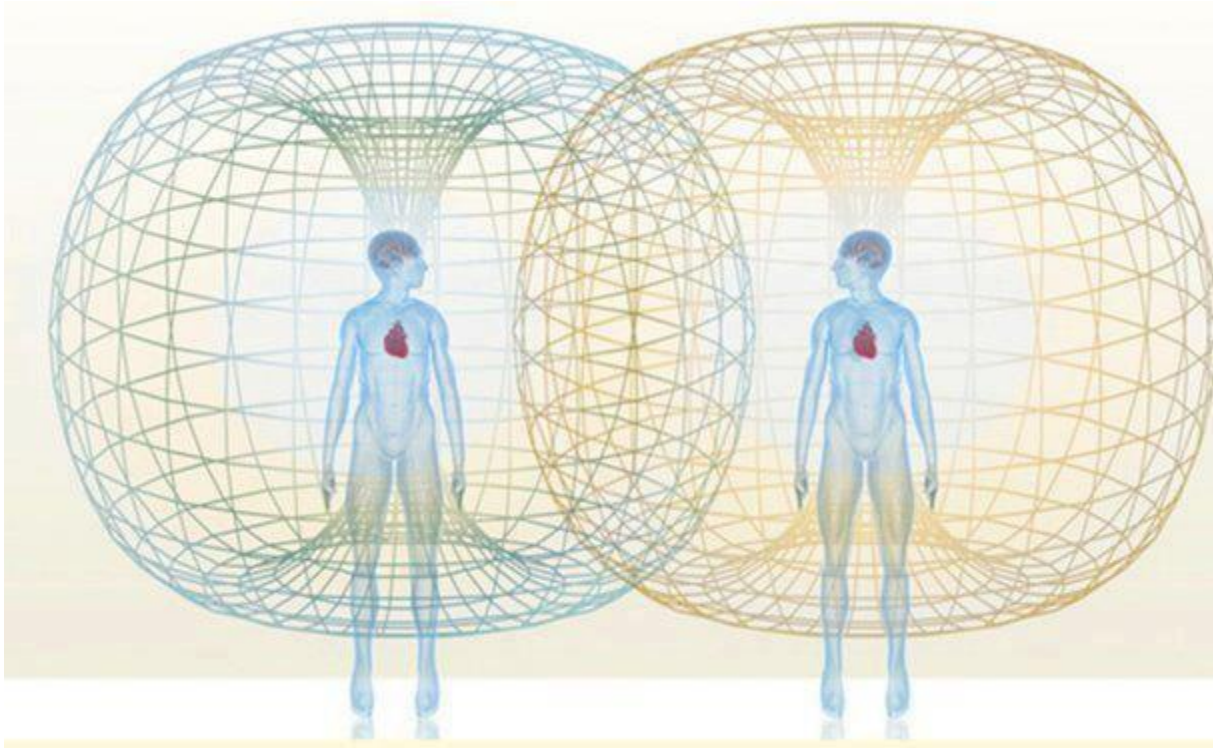


Another feature of Levashov's books is his enduring sacredness. There is an old and absolutely true statement that if knowledge is presented on paper, it ceases to be sacred and becomes publicly available. There is an equally true saying that attempts to express complex philosophical truths in ordinary human language narrows and impoverishes them. ("A thought uttered is a lie" is how Tyutchev expressed this idea in poetic form.) However, Levashov's teaching was and remains sacred, despite the fact that it is accessible to everyone. The deepest philosophical ideas that form its basis are not profane in the least. This is due to the special form of presentation of the material used in the works.

One of the features of the internal structure of Levashov's texts is their semantic multilayering. Each paragraph of the teaching contains several levels of understanding of the problems considered in it – from the simplest, superficial, to a deeper one that carries a sacred meaning. Accordingly, each reader perceives the knowledge presented in the books at the level that corresponds to the degree of his personal spiritual and intellectual readiness. At the same time, there are no undesirable psychological overloads that are inevitable when the reader tries to master material that is too difficult to understand. Anyone who has been referring to Levashov's works for at least two years can confirm that the information contained in the texts of this teaching is revealed and becomes available gradually, with each new reading, and with additional understanding of alternative concepts.

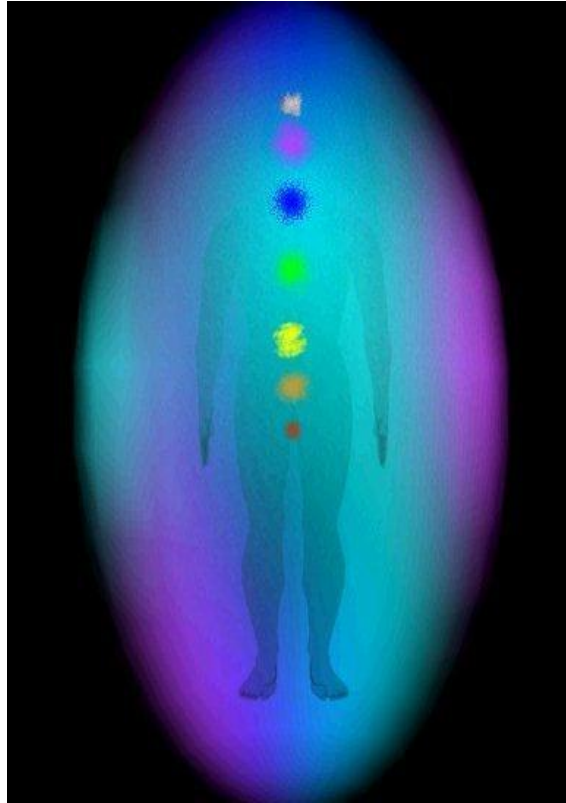


Many people are well aware of the unusual effect of this teaching: when you re-read a book that was read, perhaps, only six months ago, you get the feeling that something different and new has appeared in it. The reader suddenly realizes that when reading this book for the first time, he "did not notice" the most important moments that could not be more urgent, relevant and able to help in specific life circumstances. If a person does not have the necessary spiritual and intellectual level to assimilate any aspects, individual fragments of the text simply will not be realized by them at the first reading. They "slide" through the reader's mind – and, without being deposited in it, they will be forgotten. But the human psyche has a special structure that is practically unexplored by modern science – the area of the superconscious. Information that is not deposited in the mind becomes the property of the superconscious level of perception. While the intuitive-spiritual origin of man produces a latent assimilation of the transferred information, and it is something that was not understood by the informed reader, may be available to him when re-reading. Hence the often-occurring feeling that earlier he simply "did not notice" any fragments of the text. Thus, in Levashov's books, even the knowledge presented on paper continues to be sacred.



I would like to share my own experience and discoveries made as a result of using the SvetL device for 6 months. The fact is that I do not have my own device, but since we bought it for my wife, this article is an observer's report from the outside.

My modest understanding of the works of N. V. Levashov, A. M. Khatybov and B. V. Makov gives me the right to express my opinion. After all, it is the formation of cluster connections due to the interaction of identical qualities of the entities of the spouses that provides a resonant reception of the influence of SvetL software by the second spouse. And the more identical qualities there are between the spouses, the higher the impact efficiency should be.



As is known from the articles in this series "**Knowledge from Na-Chala**", as well as from the conferences "[Keys of Truth](#)" [5], the "**Dark Matter**" **Generator** itself (Psi Generator, as N. Levashov liked to call it) is "attached" ("fastened") to the silicon crystal, lying in the basis of the chip of the tablet PC. The most suitable platform for "attaching" the Generator is Platinum, Silver, and Silicon, since the structures of these materials (at the atomic level) are dodecahedral. And the dodecahedron today is the basis of energy and information interaction at the cellular level of all living things on our Planet: including Humans. The SvetL Program is introduced into the Generator, in accordance with the use and purpose of the Psi Generator, which, for simple understanding, is a subtle material object with a dodecahedral structure that embodies the principle of the Golden Section. And all this - and the Psi Generator, and the m "SvetL" Program, are a single QUASI-LIVING ORGANISM, which solves the tasks of RECOVERY set for it (curing, healing) of a Person who is the owner of the "SvetL" Complex. But as my observations have shown, this quasi-living organism solves problems not only related to healing, but also with the ability of the Brain to respond to the information that it, the Brain receives from various sources. And if we say here in the words of N. Levashov, paraphrasing them a little, then **the Owner of the Complex has a rapid but gradual "Opening of the BRAIN"**.



I'm more than sure of that today. But I will make a reservation that the maximum potential of SvetL can be transmitted to a person if he becomes an active repeater of energy-informational support for other people. It is difficult to say what will happen to a person who selfishly loops the energy circuit on himself; perhaps this is fraught with the destruction of certain structures. I would not like to experience this myself, and I would not want others to, so my advice to all owners of SvetL Complexes is – **The more light you give to people around you, the more you will receive a reward from SvetL.** The only limiting factor is your personal bandwidth, but this is developed with experience.

This distributor of primary matters is tied to the essence of the device owner, like an additional battery that draws infinite energy from the subtle world. The binding mechanism is a cluster of toroidal psi fields of the "SvetL" device entity and the owner entity. The TORUS is necessary as an element of transition from the cubic space (the owner's reality) to the dodecahedral space of the primary matter generator. In this case, the Golden Section principle is used as a transition coefficient between energy and information structures. Recently, a short but informative film "**the X-Files: the Golden ratio**"[6], clearly showing the role of the Golden ratio in the life of our ancestors, in the fight against globalism and in recreating the True Humanity on our planet. We all have to pass through the eye of a needle and use the Golden Proportion to move into a new world, recreated by the Native planetary control system based on dodecahedral energy-informational structures instead of obsolete cubic structures, as atavisms of the parasitic control system.

It all started in early January 2013, when my wife suddenly lost sleep, the brain did not turn off day and night. We came across articles in the press where it was said that similar symptoms were reported in many young women around the same time. Scientists had no explanation for the anomalies occurring to people. As a result of several sleepless nights in a row, the immune system was severely weakened, and in January, a prolonged depression and severe illness began. It got to the point that she could only sit in a chair, in a horizontal position it was impossible to breathe. Every meal was torture. Antibiotics did not work, doctors threw up their hands in impotence, saying that everything should go away by itself; traditional medical means did not give any effect. We got out thanks to inhalations, Epiphany water and colloidal silver. There were rumors around the city that the doctors were instructed to ignore people with symptoms similar to ours, because this disease was widespread. Almost everyone in our social circle had the flu in the first two months of 2013.

As a result of our ordeal and analysis of the received information, we decided to purchase a SvetL health-improving device. The first sensations after turning on the device are the state of the inflatable pillow on the water surface. Only it inflated us not with air, but with primary matter, and kept us from falling into an emotional swamp. After all, even a few psychics and healers realize that neither prayers, nor spells, nor psychic healing actually solves the main cause of the disease. **THE MAIN CAUSE OF THE DISEASE LIES IN THE WORLD OF MAN, HIS RELATION TO LIFE, TO OTHERS AND THEIR MANIFESTATIONS.** Thus, the first thing we noted is that the SvetL complex raises the energy potential and supports emotions in a positive range. Which, of course, is necessary for a positive attitude in life, which we all lack. We have been working hard for several years to improve our worldview by expanding our horizons and moving to the **Foundation of CONTINUOUS LOGIC.** And we consider this to be one of the important conditions for the positive effect of the SvetL device on the human body.

Breaking a person's worldview and character is not an easy process. It involves taking responsibility for all your actions, and just living a life of conscience. At first, the constant reminders of honor, conscience, and morals pouring from the pages were stressful. The meaning of this approach has not yet become clear. It is no secret that the whole world was polarized (C-ionized) by the parasitic control system into two opposing camps. Pope Leo XIII said that the world is divided into those who are under God and those who are under Satan, Russian Racologist B. V. Avdeev sees the division of thinking on the principle of left-hemisphere and right-hemisphere people, the Master of psychological warfare G. P. Klimov analyzed the confrontation between normal people and degenerates, and the Russian scientist A.M. Khatybov noted the division into goyim and yogis by brain genotypes. At the same time, N. V. Levashov in his writings made it clear that the boundary between people and animals is in the presence of conscience[7].

That is why he placed the overriding priority of conscience in his books in the "Mirror of My Soul" series.

Of course, we also had to go through this, and it's probably too bold to say this in the past tense, because the struggle with ourselves continues to this day.

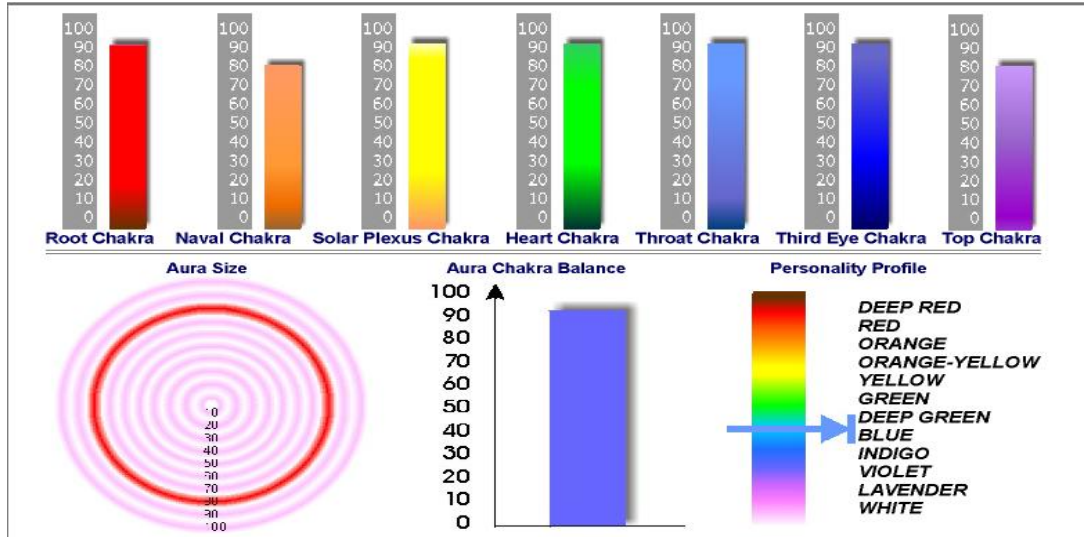
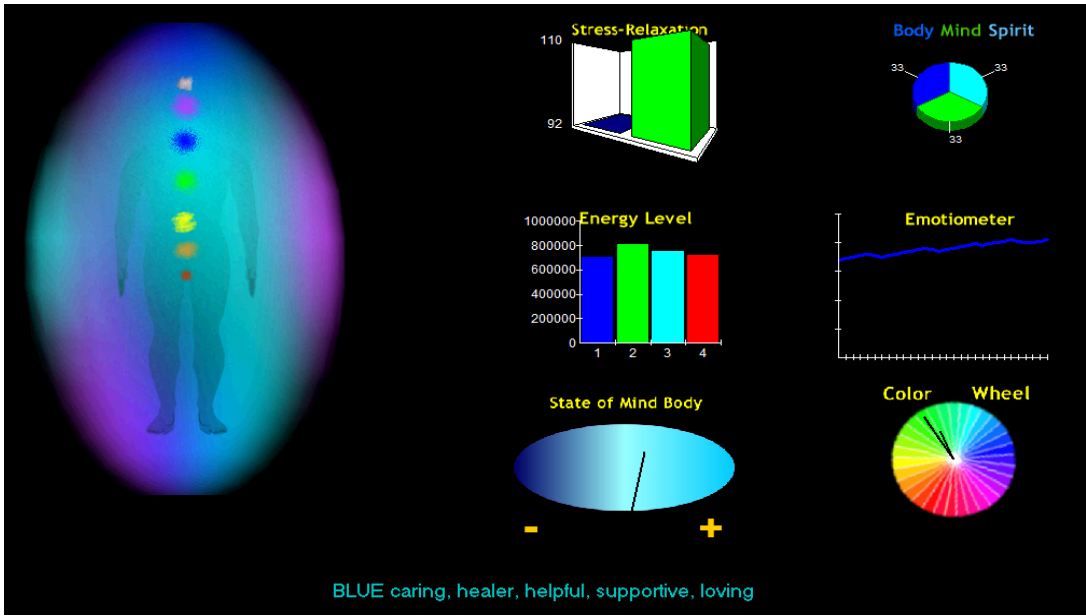
After working for the first couple of weeks at 60%, and at first only for 2 hours before going to bed, we were convinced of the safety of exposure, because we already had experience with an overdose on psychic healing, and we knew that we could expect a powerful detoxification process. I remember very well the sensations of bubbling in the chest and agitation of the diaphragm, the first time the device was turned on and in the next two days. Later, the body adapted to an additional uninterrupted source of energy, as it adapts when bathing in cold water. For 6 months, we do not physically feel the impact of the device. Nevertheless, we constantly observe external manifestations of cleansing processes that occur inside the body and in the social space around us.

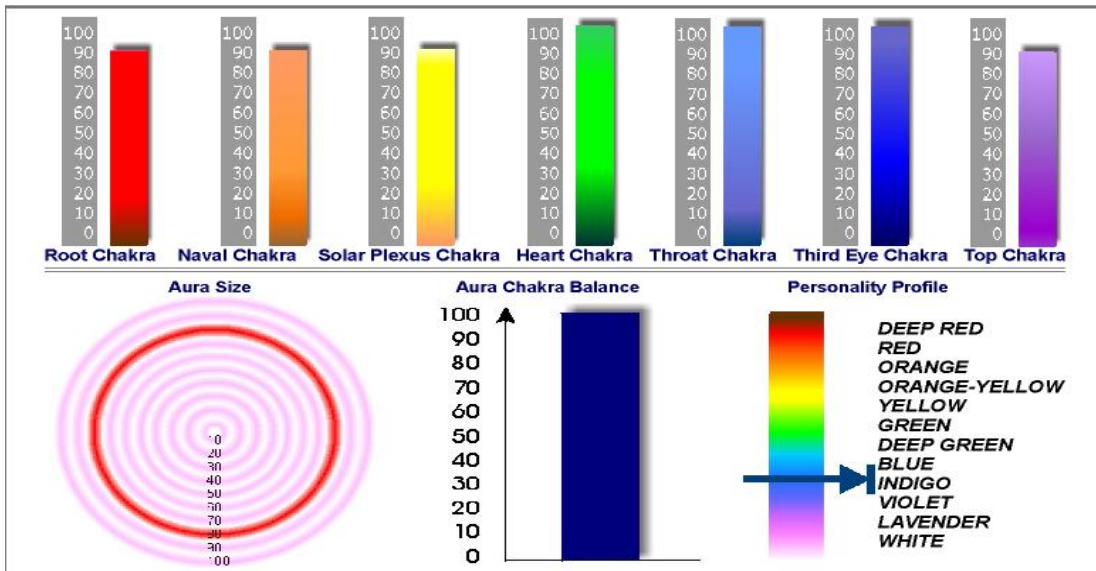
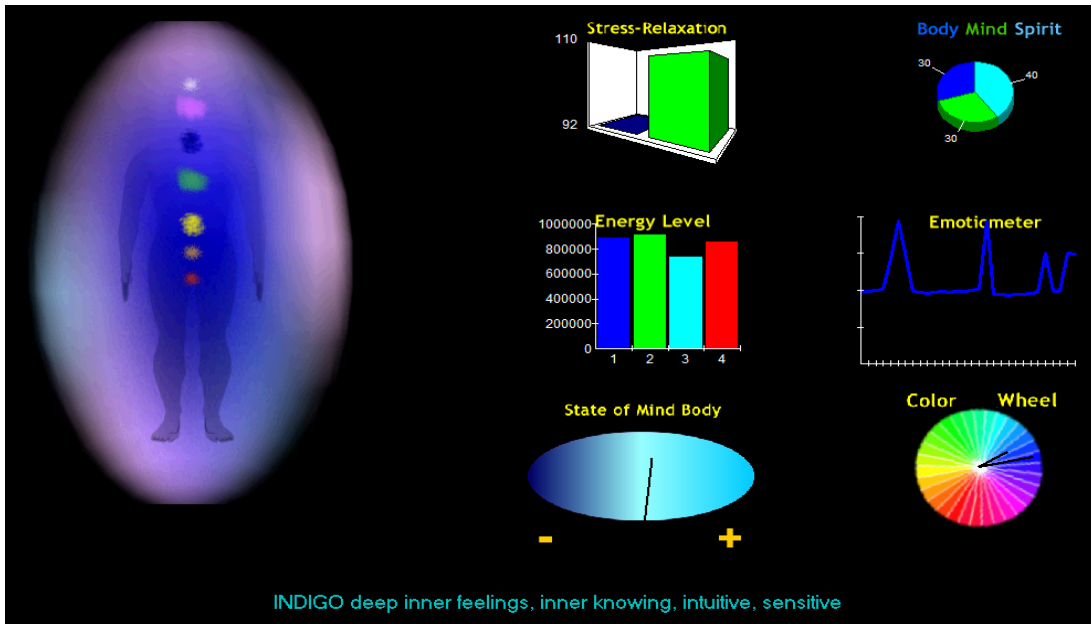
Having calmed down, we raised the power of the device to 100% for the whole night. The results did not fail to make themselves known.

Three weeks later, in one night, my wife developed a huge lump in the area of her tonsils, which made it difficult to speak, eat, drink, or even breathe. Doctors diagnosed an abscess and immediately sent for surgery to remove the pus. As we later learned from those in the support of SvetL, in the process of restoring all the internal organs of the body, SvetL discovered serious problems with the thyroid gland, and began to remove toxins EN masse, in turn, the body was not ready for this, and could not so quickly remove a large number of toxins. This situation could have been avoided if we had reduced the intensity of exposure in advance and promptly, that is, almost immediately, as we noticed, turned on the abscess treatment mode, but without medical education, we needed the verdict of doctors. After the operation, my wife was prescribed an antibiotic to drink for a week. But after turning on the abscess treatment mode on the device, everything healed within 3 days. The doctors called for a long time afterwards, asking if there were any complications, and what kind of antibiotic we were prescribed in the hospital. Over the past year, official who statistics, as well as personal experience, tell doctors that antibiotics have stopped working, but they still hope to find out what kind of wonderful antibiotic still works, and even so well. It's amazing to see how people still continue to think automatically within the old paradigm, and for you this is nonsense.

There were of course other incidents, there was an overdose and the accompanying powerful detoxification of the body, there was an abscess this time for me, and at first I didn't even think that it was SvetL who gave me a gift, because I only get a rebound on cluster tubes. The symptoms were exactly as described by Pridannikov A.V. - flux under the crown. It is noteworthy that both of us are not the direct owners of the SvetL complexes, but we get our share of the Lula due to us, along with all the wonders that this article will not be enough to list. For which I am immensely grateful to the Creator of the Miracle device and the Successor of this great and necessary work for people. Low bow to the Warlords.

Finally, in order not to be unfounded, I will give the results of scanning my wife's aura before turning on the device and 10 minutes after turning on. It is worth noting that the testing was performed after 6 months of active use of the device, and even when the device was turned off, the indicators impressed the well-worn operator of the aura camera.





Status after 10 minutes of operation on SvetL. 2013.08.21.

So think after all this, whether SvetL works or not.

Despite these and many other facts, there are some individuals from the once close admirers of the Guru, whose consciousness has not learned to synthesize the truth, and they are like the blind people from the parable, taking one thing on blind faith, hit religious fanaticism, not recognizing the right of other blind people to their own judgment. Let's not point fingers, the Heirs of the split after the departure of the leader of the social movement hit, who in broadcasting on his behalf at spiritual sessions, and who in publishing their own unfounded speculation on the personal website of Nikolai Viktorovich. But these two are still young to the third contender for the role of the semi-legal new wife of Nikolai Viktorovich, allegedly turning on and off psi generators around the globe.

American students of Levashov are aware of all the absurdities of the legends broadcast by this person in her public speeches. In fact, each new performance of the former Madame maid from the Levashov house is a Comedy show that we all look forward to, like a concert by Pierre Richard. By the way, the London lawyer Robert did not know anything about the arrival of Mrs. candidate for the role of a semi-legal new wife in London until he was asked about it, which he told the American students who wanted to check the statement made by a famous character on the last TV show - "visiting Baida".

There is a popular expression in America, which is most appropriate: "She has just got the rope long enough to hang herself."

As you know, the democratic judicial system of the United States works on the principle of the PRECEDENT LAW. So the situation that happened to Levashov's newly-found wife after his death, like two drops of water, repeats the detective story with the newly-found, after being taken into custody, wife of GP Grabovoy. You can have different attitudes to the personality of Grabovoy, but facts are a stubborn thing.

1. Both Levashov and Grabovoy, on the eve of the appearance of false wives, ran for the presidency of the Russian Federation.
2. Both Levashov and Grabovoi were persecuted by orthodox science and defamed by the media.
3. Both Levashov and Grabovoi were slandered after their elimination; by the way, K. Petrov was eliminated earlier and A. Tarasov was expelled from the country, who also ran as independent candidates for the presidency.
4. In the case of Grabovoi, the pseudo-wife appeared to be the empress of the universe, and in the case of Levashov, the pseudo-wife declared that all the master's creations had been turned off. Which is also close to the superpowers of the empress of the universe.

Therefore, within the framework of a democratic judicial system, there is a precedent. I have a question to our little-respected special services and not only: guys, do you hope to get away with a fair People's court? The people may not forgive, but they will generously pity the "penitents".

On the eve of the day of Svarog, the Era of the formation of True Humanity, Levashov's works proved to be in the teeth of only those who, over the course of many incarnations, did not lose the right to be integrated into the future. For the rest, they give a chance to earn this right. The recipe is simple, Faith, that is, Enlightenment by Knowledge, by obtaining new knowledge, and their practical application for the benefit of people. Of course, the sages spoke about this thousands of years ago, but we learned it only from Nikolai Viktorovich, because unlike the proud followers of the ancient gurus, he managed to descend to our level, RAM the energy-informational web and convey these basic truths to us, ordinary people.

If we take into account the ideas I have outlined, then presenting "SvetL" as an uninterrupted source of energy connected by a cluster tube with the essence of a person, it becomes clear that for maximum healing and development, a person must become an uninterrupted conductor of this energy further to other people, forming a living network structure of society, the closest analogue of which is a mycelium, you never know how huge it is, and where the next fruit will grow. But every mushroom is a source of joy. After all, it is not for nothing that Nikolai Viktorovich paid so much attention to experiments on the effects of the source of life on mushrooms and mycelium in his family estate.

A sense of proportion, a sense of the Golden mean, the desire for self-development, expansion and deepening of the worldview, adaptation to rapidly changing living conditions, and, of course, the maximum possible assistance to awakening people. All this is necessary in order to become integrated into the rebirth of True Humanity with the help of the SvetL device.

[1] Romans chapter 5 verse 13

[2] More details on the video "The Riddle of Fibonacci numbers" - <http://youtu.be/-DXow9hoUXA>

[3] Nikolay Levashov - Evolutionary biathlon
<http://www.youtube.com/watch?v=zDQD4N-vyFc>

[4] "Prosperity, how to do it on Earth" - <http://youtu.be/b3aDjxbavSU>

[5] Keys of Truth Conferences

[6] The X-Files: The Golden Ratio <http://www.youtube.com/watch?v=5-azxCrQ0n0>